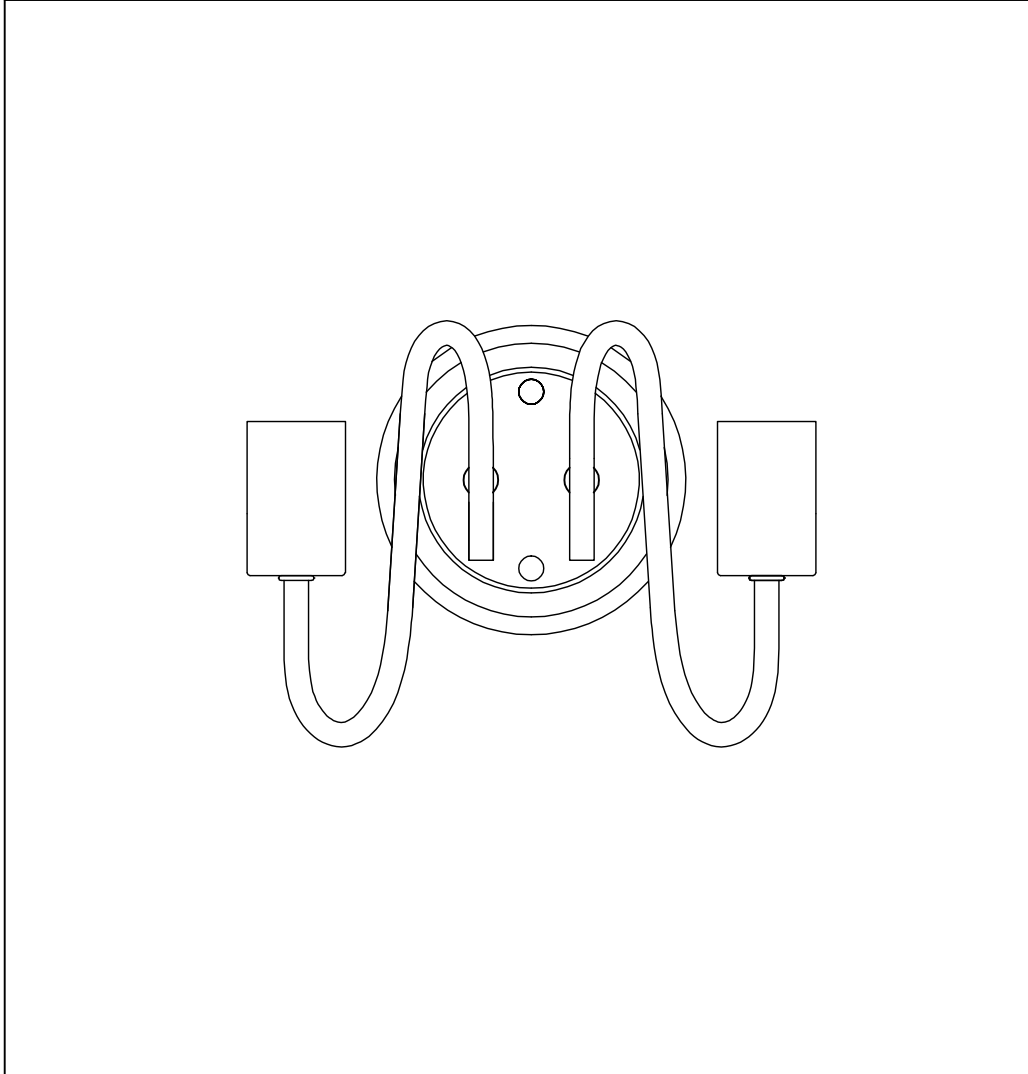




PRODUCT NAME: Haven 2-lt wall sconce
ITEM NUMBER: 11739

Please consult your electrician for hanging fixture and wiring.

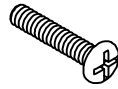


Bulb(not included): 2-60 Watt Medium Base Bulbs

IMPORTANT: Turn off the power at the main fuse or circuit breaker box before starting installation



(A)
Mounting plate(1pc)

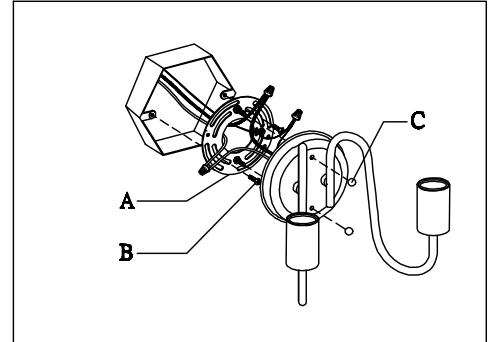
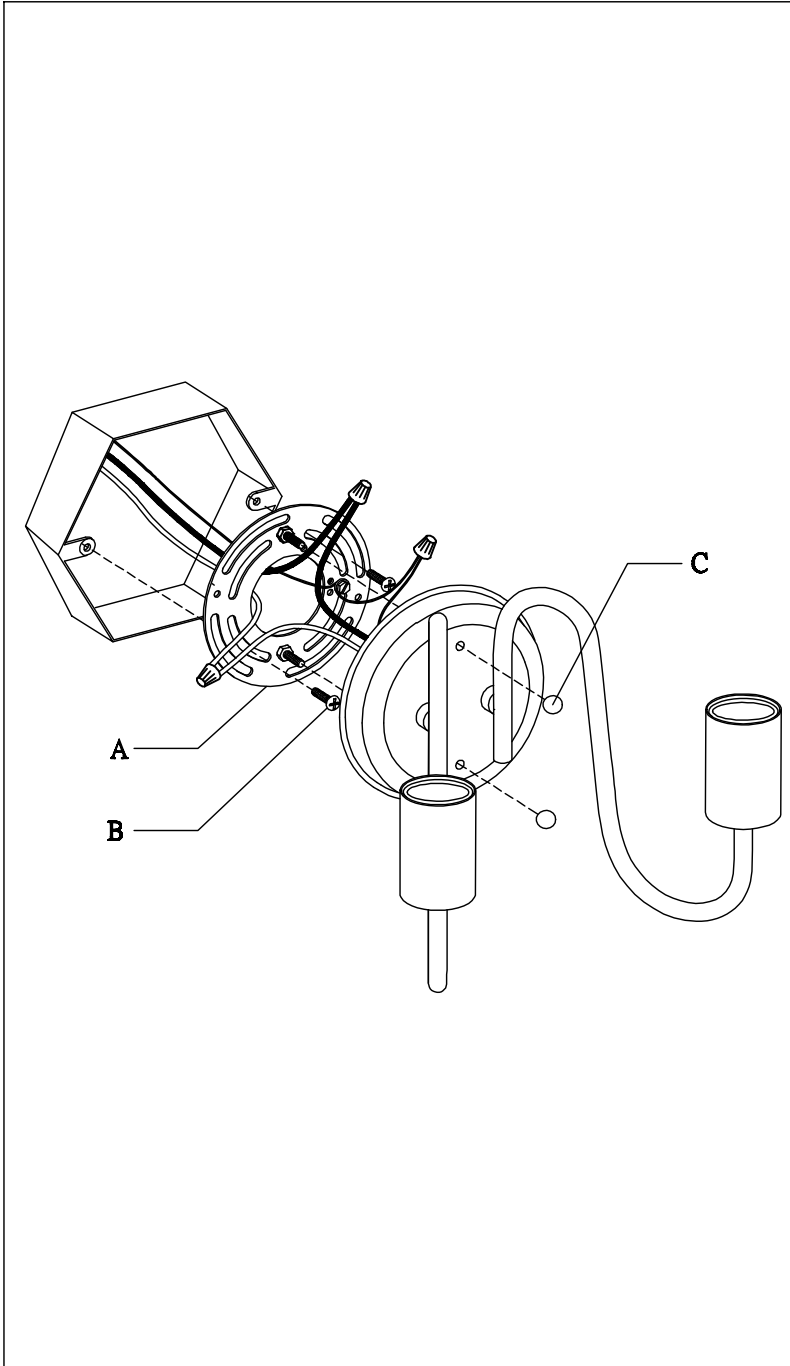


(B)
Screw(4pcs)



(C)
Ball (2pcs)

Locate all hardware & components before discarding packaging



1.)

1. Remove mounting bracket from fixture and install to electrical box. Then wire fixture to wires in outlet box. Copper wire is for Ground.
2. Attach backplate to mounting bracket and tighten ball nuts(C) so fixture meets wall.
3. Install lamp body to back plate using two screws(B) on side.
4. Install face to wall sconce using two screws at sides of fixture.

Cleaning & Care:

Clean with soft cloth and a mild detergent.
Do not use abrasive cleaner.